

## GCLI-31 Snap-In Cam Lock

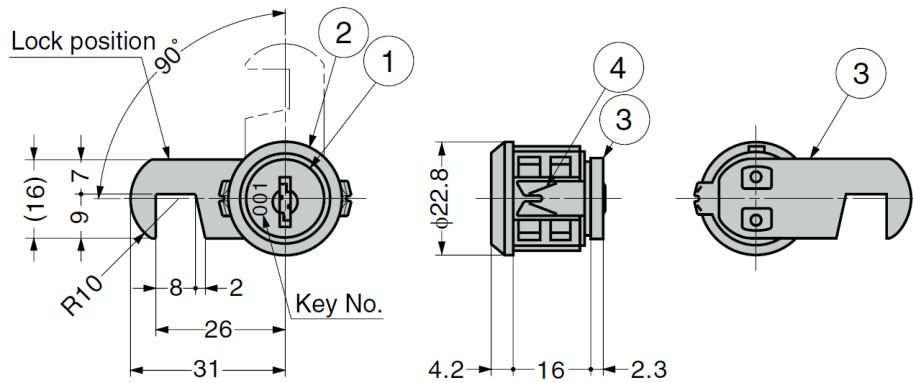
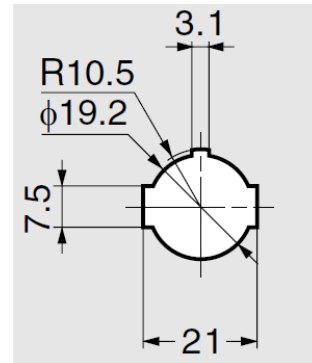
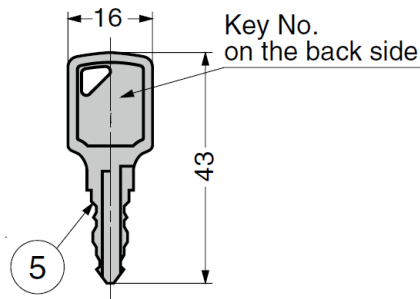
### Features

- Easy snap-in installation
- Key can only be removed when locked (90° clockwise rotation), and ensures that the application is properly locked
- Types applicable for door thicknesses other than 0.8 mm also available (made-to-order)
- 108 key changes available



### Notes

- Cam cannot be removed from body
- Designed for sheet metal use



No.	Part Name	Material	Finish
①	Cylinder (Inner)	Zinc Alloy (ZDC)	Dull Chrome
②	Cylinder (Outer)		
③	Cam	Steel (SPCC)	Coloured Zinc Chromate (Trivalent)
④	Clip	Stainless Steel (SUS304)	-
⑤	Key	Brass	Nickel

Part No.	Key Type	Door Thickness
GCLI-31-B	Keyed Differently	0.8
GCLI-31-D	Keyed Alike	